

# UFCP - Cup Pig

---

The UFCP is a solid-cast pig designed with three cups and constructed of high-grade abrasion and chemical resistant polyurethane.



## Features:

- Polyurethane material extends durability, provides flexibility
- Multiple sealing points
- Hollow core evenly distributes pressure
- Single piece construction

## Applications:

- General cleaning
- Product batching
- Chemical cleaning
- Liquids removal

## Options:

- Handling cable
- Transmitter cavity
- Bypass holes
- Magnets
- Various durometers



*Cathodic Protection Solutions, LLC*

P.O. Box 741

432-230-6955

Midland, Texas 79702

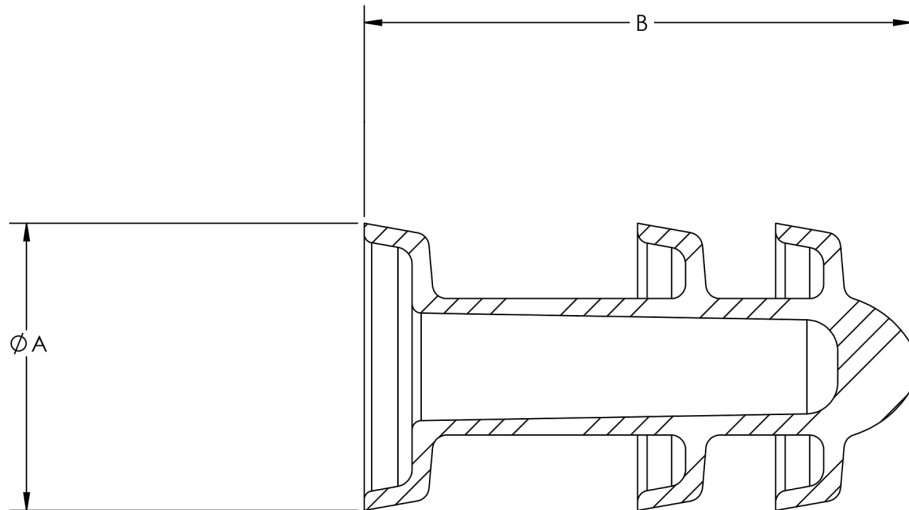
[masgalex@sbcglobal.net](mailto:masgalex@sbcglobal.net)

<http://www.cathodic-protection-solutions.com/>

ISN 400-220357



# UFCP - Cup Pig



Size	Part No.	OD A	Length B
2"	UFCP02	2.25"	6.25"
3"	UFCP03	3.38"	8"
4"	UFCP04	4.5"	10.25"
6"	UFCP06	6.5"	13"
8"	UFCP08	8.5"	17"
10"	UFCP10	10.81"	19.25"
12"	UFCP12	12.81"	24.25"
16"	UFCP16	16"	32.5"
18"	UFCP18	18.13"	36"
20"	UFCP20	20.06"	40"
24"	UFCP24	24"	47.5"



*Cathodic Protection Solutions, LLC*

P.O. Box 741  
Midland, Texas 79702

432-230-6955  
[masgalex@sbcglobal.net](mailto:masgalex@sbcglobal.net)

<http://www.cathodic-protection-solutions.com/>

ISN 400-220357

